



# MULTI-SPRAYER SYSTEMS™

The World's Greatest Sprayers



## IDEAL FOR:

- Carpet & upholstery pre and after sprays
- Ceiling cleaning
- Janitorial sprays
- Carpet restoration applications
- Automotive detailing
- Wallpaper removal
- Car cleaning

## ALSO SPRAYS:

Disinfectants, deodorizers, traffic lane cleaners, spotting agents, insecticides, garden agents & fertilizers, cleans ducts, ovens & siding

# L SERIES OWNERS MANUAL

CORDLESS — CHARGES IN VEHICLE BETWEEN JOBS

L1 L2

FOR PARTS & SERVICE CALL

[MULTI-SPRAYER.COM](http://MULTI-SPRAYER.COM)

Thank you for purchasing the world's greatest sprayer. The Multi-Sprayer L Series unit will replace your pump-up sprayers.

The L Multi-Sprayer is a tough, compact and versatile e sprayer, equipped with a SOLVENT COMPATIBLE VITON PUMP. It was designed to be easily transported to the job taking up limited space. On the job, the lithium battery along with the 10 Ft. coiled hose will allow unlimited access to cover large areas much faster.

## COMMON FEATURES: L1 AND L2 MODELS

- Tough polyethylene case
- 2 Gallon quick change container capability
- 115 Volt, 70 psi pump (230 volt available)
- Adapter for Milwaukee 18V, Dewalt 20V, or Makita 20V Avai
- Pump solvent with compatible, viton seals
- Spray trigger with viton seal; also QC
- One year warranty parts and labor

## L1 FEATURES

- 2 foot wand with stainless steel 8004 V-jet nozzle
- Weight 11 pounds empty

## L2 FEATURES

- Quick connect 2 foot wand with 8004T-jet and a check valve/strainer to stop drips.
- Quick connect 3" upholstery tool with brass 50015T-jet and strainer/ check valve to stop drips
- Weight: 12 pounds empty

## GETTING STARTED

Slant your 2 gallon container of solution into the multi-sprayer cap to the right. Connect the male/female cap quick connect system, and then push the container into the multi-sprayer. To remove container, push the silver tab on the female quick connect tip out of container and remove.

Plug in, turn on switch and squeeze trigger to spray.

## IF YOU HAVE MODEL L2

### PRIMING

1. Remove the 2 foot carpet wand or the upholstery tip, at the quick connect.
2. Squeeze the trigger, allowing the liquid to advance to near the trigger.
3. Re-connect the 2 foot carpet wand or upholstery tip and begin spraying. The check valve/strainers inhibit flow when starting but stop drips after spraying.

## MAINTENANCE

At the end of the work period, a mild detergent solution followed by fresh water should be sprayed to clean the pump and hose. When switching between water based and solvent solutions, a warm water flush after water base and a cold water flush after solvents is best for flushing the system. The case cleans easily with a mild detergent and retains its luster with application of a plastic/vinyl product.

## SAFETY PROCEDURES

**RISK OF EXPLOSION — DO NOT SPRAY COMBUSTIBLE FLUIDS**

**PLUG INTO 115-120 VOLT 50/60 CYCLE GROUNDED**

**3-PRONG RECEPTACLE**

## MULTI-SPRAYER PARTS

KEY	PART#	DESCRIPTION
5*	BST-1YSS	SS Female Coupler, 1/8"
6	2022TR	Stainless/Brass/Viton Trigger - Comfort Grip
7	H14-2MUSBR	Compression and Strain Relief
8	FW-10	Urethane Coiled Spray Hose 10" 1/4 ID
9	SNP-2	Hose Clamp (Need 2)
11	N4MEB6	Elbow, Nylon (Need 2)
12	AQ12	12Volt, 50 psi Motor & Pump
14*	216P-4-2	Brass Reducing Nipple, 1/4" / 1/8"
15	11375	Rubber Hose Grommet
	11532	Rubber Shoulder Grommet
16	ARD	Base Plate Retaining Button
17	160011E	Electric On/Off Switch
18	UR33	Urethane Suction Hose, 33", 1/4 ID
19	13862-50	Suction Hose Strainer, 50 mesh
20	MILADAP	Adapter for Lithium Battery
21	M3251	Power Cord Strain Relief
22	2G	2 Gallon Solution Container
23	F17004LG	Female Jug QC
24	M22004LG	Male Jug QC, Cap and 90 Degree Barb
**	M22	Male QC
**	Cap & 90	Cap and 90 degree panel mount

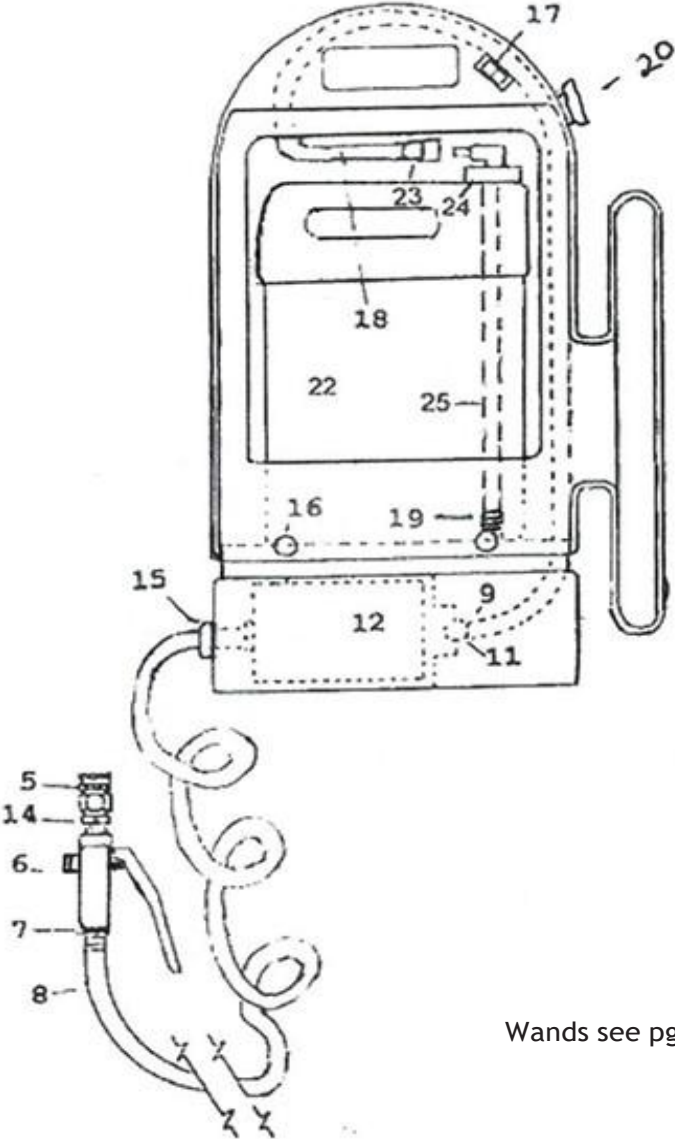
\*#5 and #14 on M2 model only

## PUMP PARTS

AQ12	12 Volt Pump Parts
LHA	Lower Head Assembly, Triangular Diaphragm/CAM
VHA	Valve Assembly, 3 Inlet and 2 Outlet Valves
UHA-12	Black Poly Pump Head

- If pump leaks from small triangle on black pump head, replace UHA
- If pump runs but does not pump, replace VHA and LHA
- When reassembling pump, tighten screws very firmly

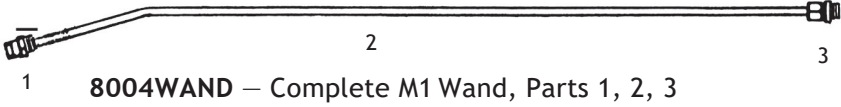
# MULTI-SPRAYER DIAGRAM



Wands see pg 6

# L1 WAND

KEY	PART#	DESCRIPTION
1	H1/8DT-SS8004	Female Thread Stainless Steel V-Jet Nozzle
2	SS20	Threaded Stainless Steel Wand Tube
3	AB 110CA	Brass Hex Nipple, 1/4 Male 1/8 Female



# L2 WAC WAND

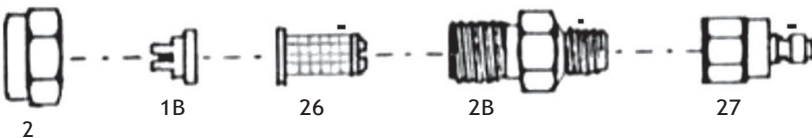
KEY	PART#	DESCRIPTION
1A	TPU8004SS	Stainless Steel t-Jet Nozzle
2	CP1325	Brass Nozzle Cap
2A	CP1335	Brass Male Body
24	4193-A-10-50SS	Strainer W/Check Valve (inside 2A)
3	SS20	Stainless Steel Wand Tube
25	BST-N1SS	Stainless Steel Male Coupler



WAC – Complete M2 Carpet Wand

# L2 WACS WAND

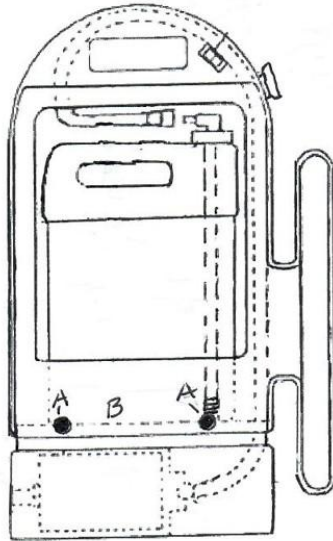
KEY	PART#	DESCRIPTION
2	CP1325	Brass Nozzle Cap
1B	TPU50015	Brass T-Jet Nozzle
26	4193-A-20-50SS	Strainer W/Check Valve
2B	CP1336	Brass Male Bod
27	BST-N1	Brass Male Coupler



WACS (Exploded) – Complete M2 Upholstery Wand

## TO REMOVE PUMP

1. Remove nylon tabs (A) by tapping out from inside of solution container compartment (4).
2. Remove bottom plate to access pump.



## WARRANTY

Your multi-sprayer L Series units carry a one year parts and labor warranty. The date of manufacture is stamped on the serial plate. Keep your receipt for exact date of ownership for warranty purposes.

**FREEZING CAN DAMAGE THE MULTI-SPRAYER AND IS NOT COVERED BY THE WARRANTY.**

Consult the chemical guide available from your distributor or manufacturer for chemical compatibility. Chemical damage to the pump is not covered by the warranty.

# APPROXIMATE RATE OF SPRAY

FROM T-JETS & V-JETS USING 50 PSI PUMP:

TIP SIZE	GAL per MIN	TIP SIZE	GAL per MIN
XX050	.055	XX04	.44
XX01	.11	XX05	.55
XX015	.16	XX06	.66
XX02	.22	XX08	.88
XX03	.33	XX10	1.10

XX — Degree of arc of spray. Available from 0 to 110 degrees.

## TROUBLE SHOOTING

### MOTOR OPERATES, BUT NO SPRAY:

- Male and/or female QC on jug failure
- If you have L2 model, see “Getting Started” instructions on page 3 and on back of sprayer
- Restricted intake or discharge line. Clogged suction strainer, kinked suction or spray hose, clogged spray tip, broken or clogged trigger
- Air leak in suction hose
- Broken or worn pump parts; valve chamber, or diaphragm

### MOTOR FAILS TO RUN:

- Switch defective or loose wiring connection
- Defective motor
- Frozen cam bearing

### LOW PRESSURE AND PRESSURE:

- Partially clogged lines, strainers, tip or trigger
- Worn pump cam bearing (also excessive noise)
- Broken or worn pump parts; valve chamber or diaphragm

### LEAKING:

- Hole in hose, cracked pump housing
- Loose or broken hose barb at pump inlet or outlet
- Loose or broken hose clamp at pump inlet or outlet

## MULTI-SPRAYER SYSTEMS, INC.

multi-sprayer.com | info@multi-sprayer.com | 800.669.2469 | 952.767.3063